

SPECIFICATION		
1	Model No.	ERV16-FE
2	Nominal Input (mW)	1
3	Maximum Input (mW)	30
4	Impedance (Ω)	90 \pm 15% / 200 \pm 20%@1KHz
5	Pure sound	1.2Vrms,sine wave (300-3400HZ), no buzzes and battles
6	Sensitivity (dB)	113 \pm 3 @1KHz (150ohm,750MV)
7	Operating Temperature ($^{\circ}$ C)	-20 ~ +70
8	Storage Temperature ($^{\circ}$ C)	-20 ~ +70
9	Material	Cap Al Finish

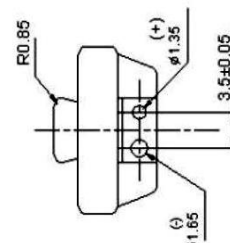
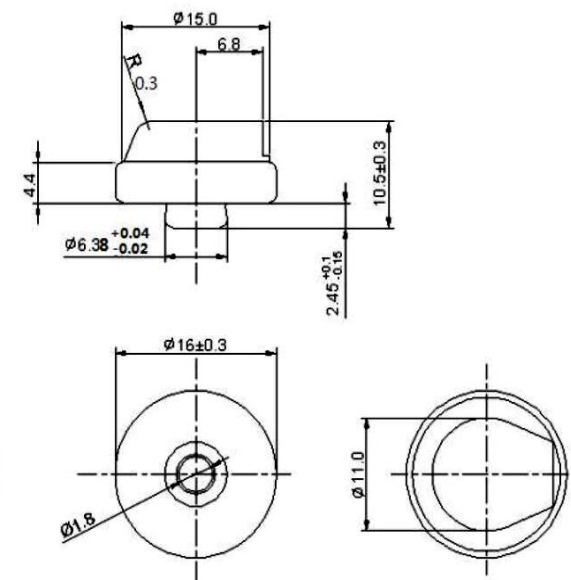
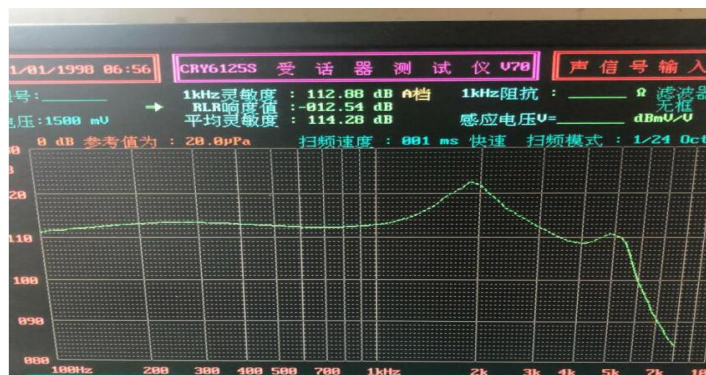
f=1KHz,S.P.L=1 μ Bar,VS=4.5-3.0V,Distortion<1%

THIS DOCUMENT CONTAINS DATE
 PROPRIETARY TO PROJECTS CHANGZHOU ESUNTECH
 CO LTD. ANY USE OR REPRODUCTION,IN ANY FORM,
 WITHOUT PRIOR WRITTEN PERMISSION OF
 PROJECTS CHANGZHOU ESUNTECH CO LTD
 IS PROHIBITED.

©2003,Project Changzhou Esuntech Co Ltd



REVISION HISTORY			
LTR	DESCRIPTION	DATE	APPROVED
-	RELEASED FROM ENGINEERING	9/23/2003	Y M
A			
B			
C			



NOTES:

- ALL DIMENSIONS ARE IN MILLIMETERS
- SPECIFICATIONS SUBJECT TO CHANGE WITHOUT NOTICE

UNLESS OTHERWISE SPECIFIED, DIMENSIONS ARE IN MILLIMETERS TOLERANCES ARE +/-0.5 AND ANGLES ARE +/-3 $^{\circ}$	SIZE	Designed by	Date	Checked by	Date	Approved by	Date	Drawed date	
									
	A4								