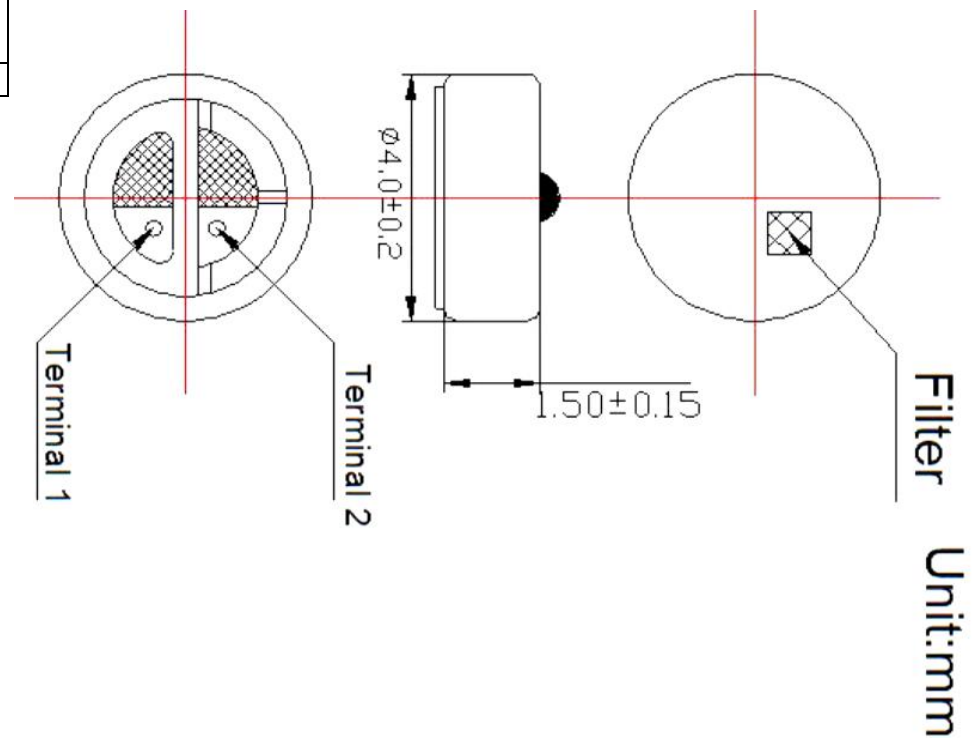
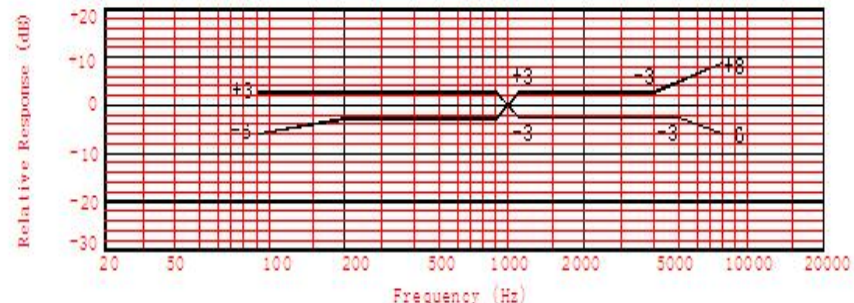


SPECIFICATION						
1	Model No.	EMC4015-2C				
2	ITEM	Symbol	Test Conditions	Min	Standard	Max
3	Sensitivity(dB(0dB=1V/Pa))	S	f=1KHz,S.P.L=1Pa	-45	-42	-39
4	Impedance(K Ω)	Z	f=1KHz,S.P.L=1Pa			2.2
5	Directivity	Omni-directional				
6	Current Consumption(μ A)	I				500
7	Operation Voltage Range(V)	VS		1	2	10
8	S/N Ratio(dB)	S/N(A)	f=1KHz, S.P.L=1Pa,A Curve		55	
9	Decreasing Voltage Characteristic(dB)	Δ S	f=1KHz, S.P.L=1Pa,VS=4.5-3.0V			-3
10	Max.Input Sound Level(dB)	MISPL	f=1KHz,Distortion \leq 3%			110

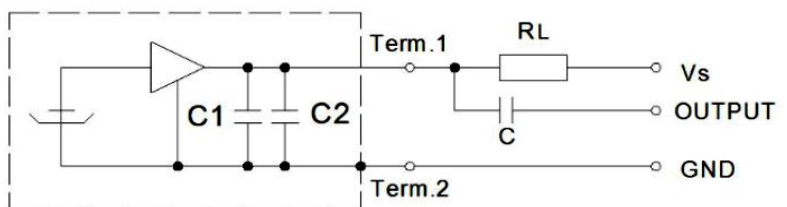
REVISION HISTORY			
LTR	DESCRIPTION	DATE	APPROVED
-	RELEASED FROM ENGINEERING	9/23/2003	Y M
A			
B			
C			




f=1KHz,S.P.L=1 μ Bar,VS=4.5-3.0V,Distortion<1%



Vs:Source Voltage2.0V Rl:Load Resistance2.2K Ω
 C1=10pF C2=33pF



NOTES:
 1.ALL DIMENSIONS ARE IN MILLIMETERS
 2.SPECIFICATIONS SUBJECT TO CHANGE WITHOUT NOTICE

UNLESS OTHERWISE SPECIFIED, DIMENSIONS ARE IN MILLIMETERS TOLERANCES ARE +/-0.5 AND ANGLES ARE +/-3°	SIZE	Designed by	Date	Checked by	Date	Approved by	Date	Drawed date
	A4			EMC4015-2C				
	EMC4015-2C							