

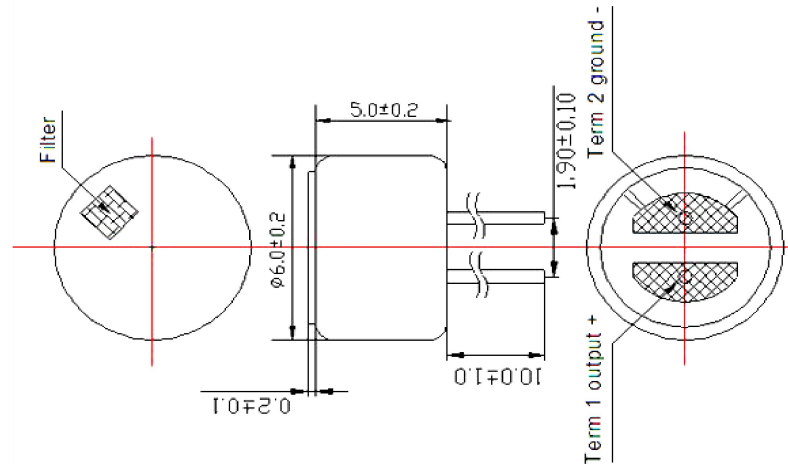
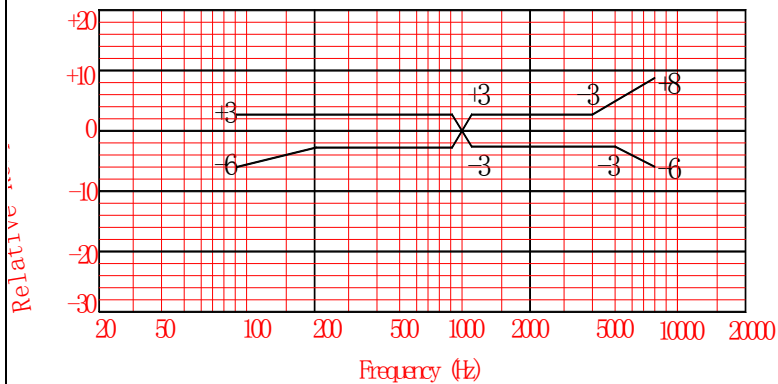
SPECIFICATION		
1	Model No.	EMC6050CD-P-58
2	Sensitivity	-58+/-2 dB
3	Impedance	2.2K OHM
4	Directivity	Omni-directional
5	Current	500μA
6	Operation Voltage Range	4.5V(1.0~10.0)
7	S/N Ratio	55 dB Min
8	Decreasing Voltage Characteristic	-3 dB
9	Max.Input Sound	110dB

THIS DOCUMENT CONTAINS DATE
 PROPRIETARY TO PROJECTS CHANGZHOU ESUNTECH
 CO LTD. ANY USE OR REPRODUCTION,IN ANY FORM,
 WITHOUT PRIOR WRITTEN PERMISSION OF
 PROJECTS CHANGZHOU ESUNTECH CO LTD
 IS PROHIBITED.
 ©2003,Project Changzhou Esuntech Co Ltd

REVISION HISTORY			
LTR	DESCRIPTION	DATE	APPROVED
-	RELEASED FROM ENGINEERING	9/23/2003	Y M
A			
B			
C			




f=1KHz,S.P.L=1μBar,VS=4.5-3.0V,Distortion<1%



NOTES:

- 1.ALL DIMENSIONS ARE IN MILLIMETERS
- 2.SPECIFICATIONS SUBJECT TO CHANGE WITHOUT NOTICE

UNLESS OTHERWISE SPECIFIED. DIMENSIONS ARE IN MILLIMETERS TOLERANCES ARE +/-0.5 AND ANGLES ARE +/-3°	SIZE	Designed by	Date	Checked by	Date	Approved by	Date	Drawed date
	A4				EMC6050CD-P-58			
	EMC6050CD-P-58							
		http://www.esuntech.com.cn			1 / 1			