

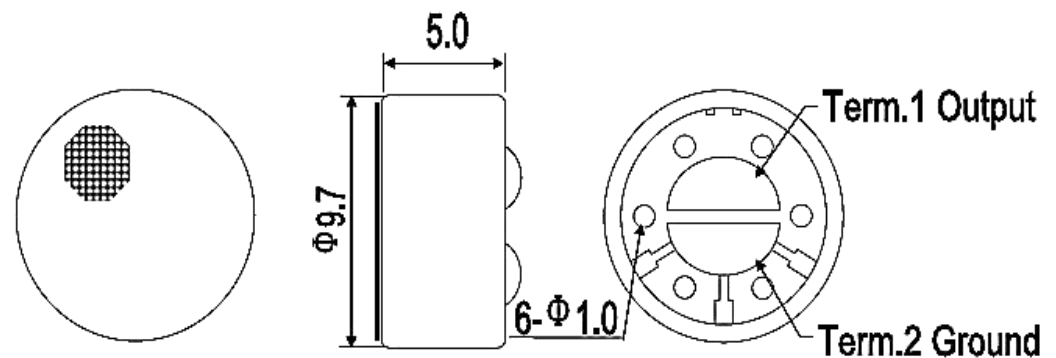
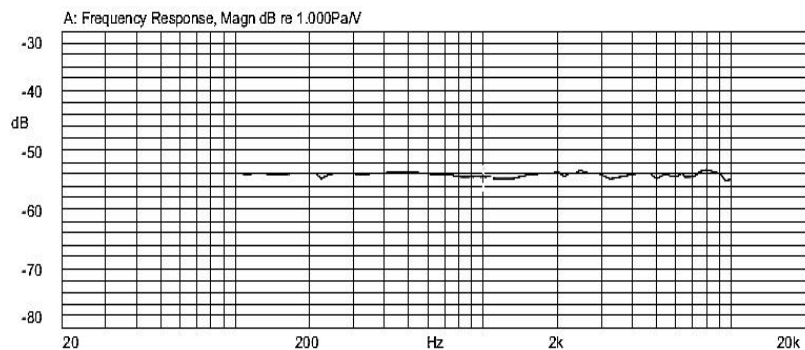
SPECIFICATION		
1	Model No.	EMC9750CD-54-SD
2	Sensitivity Range	- 54+/-4dB RL=680 ohm Vs=1.5V
3	Impedance	Max. 680 OHM 1KHz (RL=680 OHM)
4	Frequency	30-16000 Hz
5	Current Consumption	Max.0.5mA
6	Voltage RangeOperation	1.0V-10V
7	Max. Sound Pressure Level	110dB S.P.L
8	S/N Ratio	More than 58dB
9	Sensitivity Reduction	1.5V-3.0V Sensitivity Variation less than 3dB

THIS DOCUMENT CONTAINS DATE  
 PROPRIETARY TO PROJECTS CHANGZHOU ESUNTECH  
 CO LTD. ANY USE OR REPRODUCTION,IN ANY FORM,  
 WITHOUT PRIOR WRITTEN PERMISSION OF  
 PROJECTS CHANGZHOU ESUNTECH CO LTD  
 IS PROHIBITED.  
 ©2003,Project Changzhou Esuntech Co Ltd

REVISION HISTORY			
LTR	DESCRIPTION	DATE	APPROVED
-	RELEASED FROM ENGINEERING	9/23/2003	Y M
A			
B			
C			



f=1KHz,S.P.L=1μBar,VS=4.5-3.0V,Distortion<1%



NOTES:  
 1.ALL DIMENSIONS ARE IN MILLIMETERS  
 2.SPECIFICATIONS SUBJECT TO CHANGE WITHOUT NOTICE

UNLESS OTHERWISE SPECIFIED. DIMENSIONS ARE IN MILLIMETERS TOLERANCES ARE +/-0.5 AND ANGLES ARE +/-3°	SIZE	Designed by	Date	Checked by	Date	Approved by	Date	Drawed date
		EST						
	A4	http://www.esuntech.com.cn		EMC9750CD-54-SD		C/MIC	Edition	1 / 1