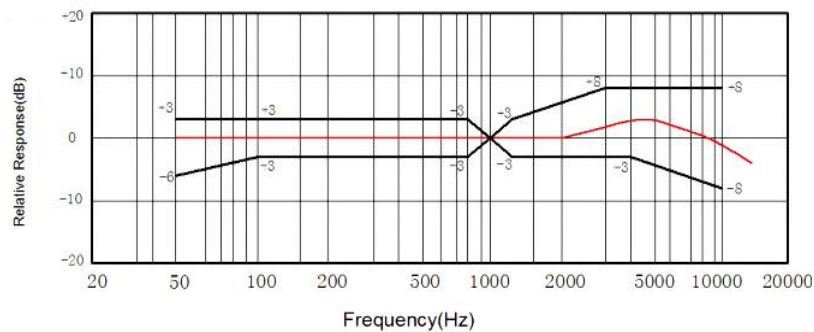


## SPECIFICATION

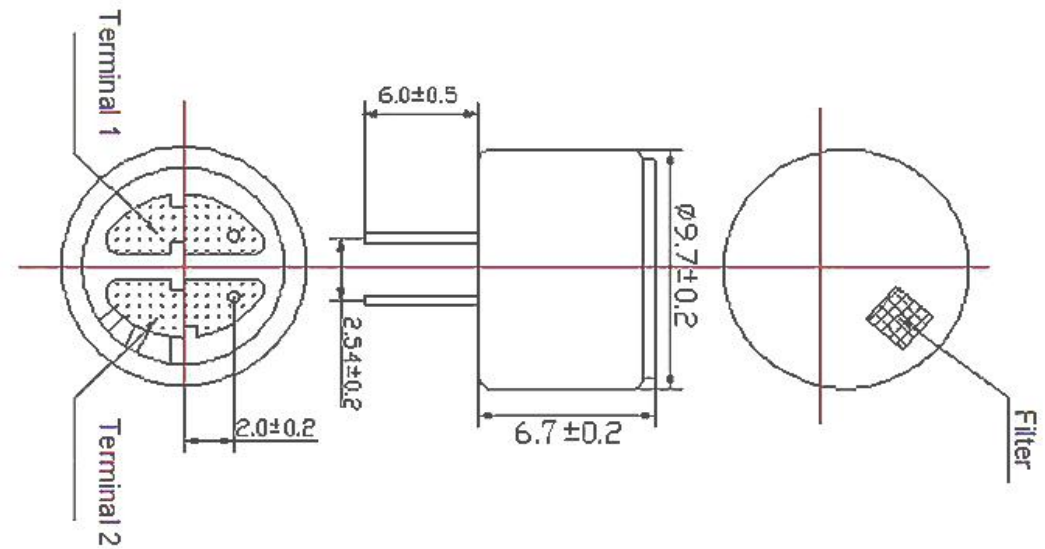
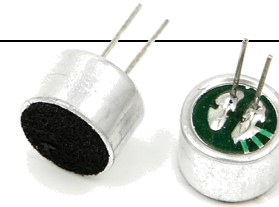
1	Model No.			EMC9767P				
2	ITEM	Symbol	Test Condi	Min	Standard	Max	Unit	
3	Sensitivity	S	f=1KHz,	-43	-40	-37	dB	
4			S.P.L=1μBar				0dB=1V/ μBar	
5	Impedance	Z	f=1KHz,			2.2	KΩ	
6			S.P.L=1μBar					
7	Directivity	Omni-directional						
8	Current Consumption	I				500	μA	
9	Operation Voltage Range	VS			1	4.5	10	V
10	S/N Ratio	S/N(A)	f=1KHz, S.P.L=1Pa	60			dB	
11			A Curve					
12	Decreasing Voltage Characteristic	ΔS	f=1KHz, S.P.L=1Pa			-3	dB	
13			VS=4.5-3.0V					
14	Max.Input Sound Level	MISPL	f=1KHz,			120	dB	
15			Distortion≤3%					

f=1KHz,S.P.L=1μBar,VS=4.5-3.0V,Distortion<1%



## REVISION HISTORY

LTR	DESCRIPTION	DATE	APPROVED
-	RELEASED FROM ENGINEERING	9/23/2003	Y M
A			
B			
C			



### NOTES:

- 1.ALL DIMENSIONS ARE IN MILLIMETERS
- 2.SPECIFICATIONS SUBJECT TO CHANGE WITHOUT NOTICE

UNLESS OTHERWISE SPECIFIED. DIMENSIONS ARE IN MILLIMETERS TOLERANCES ARE +/-0.5 AND ANGLES ARE +/-3°	SIZE	Designed by	Date	Checked by	Date	Approved by	Date	Drawed date
	A4							
	EMC9767P	http://www.esuntech.com.cn		EMC9767P		C/MIC	Edition	