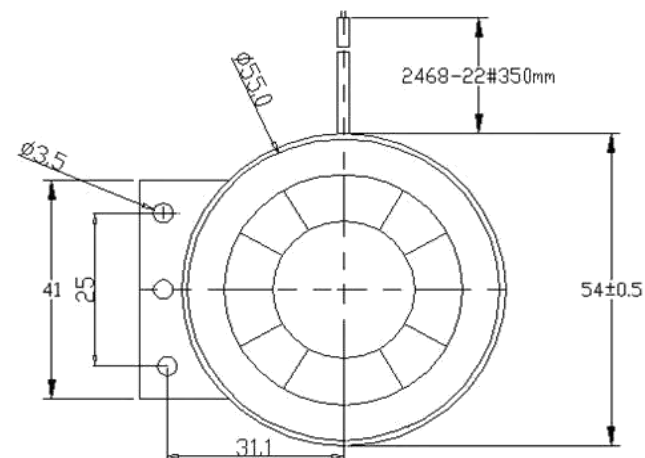
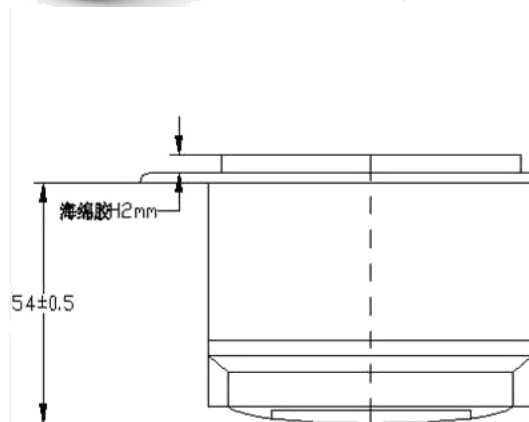
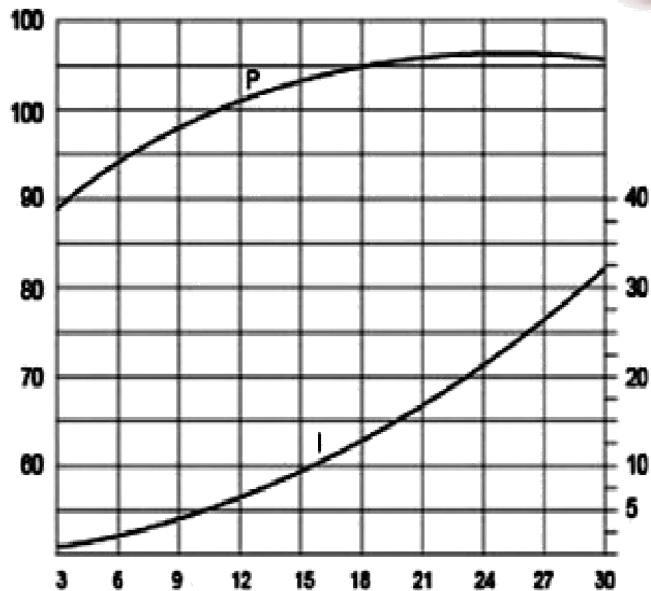


SPECIFICATION		
1	Model No.:	EPB5552-012-3.0-R
2	Rated Voltage(V)	12
3	Rated Current(mA)	≤250
4	Sound Output(dB)	≥120
5	Resonant Freq(KHZ)	3.0±0.5
6	Operating Temp (°C)	-20~+70
7	Storage Temp (°C)	-30~+80
8	Weight (G)	48

THIS DOCUMENT CONTAINS DATE PROPRIETARY TO PROJECTS CHANGZHOU ESUNTECH CO LTD. ANY USE OR REPRODUCTION, IN ANY FORM, WITHOUT PRIOR WRITTEN PERMISSION OF PROJECTS CHANGZHOU ESUNTECH CO LTD IS PROHIBITED.

©2003, Project Changzhou Esuntech Co Ltd

REVISION HISTORY			
LTR	DESCRIPTION	DATE	APPROVED
-	RELEASED FROM ENGINEERING	6/23/2018	Y M
A			
B			
C			



NOTES:

- ALL DIMENSIONS ARE IN MILLIMETERS
- SPECIFICATIONS SUBJECT TO CHANGE WITHOUT NOTICE

UNLESS OTHERWISE SPECIFIED, DIMENSIONS ARE IN MILLIMETERS TOLERANCES ARE +/-0.5 AND ANGLES ARE +/-3°	SIZE	Designed by	Date	Checked by	Date	Approved by	Date	Drawed date
		A4		EST		EPB5552-012-3.0-R		
EPB5552-012-3.0-R		Changzhou Esuntech Co.,Ltd http://www.esuntech.com.cn		Siren	Edition	Sheet / 1		