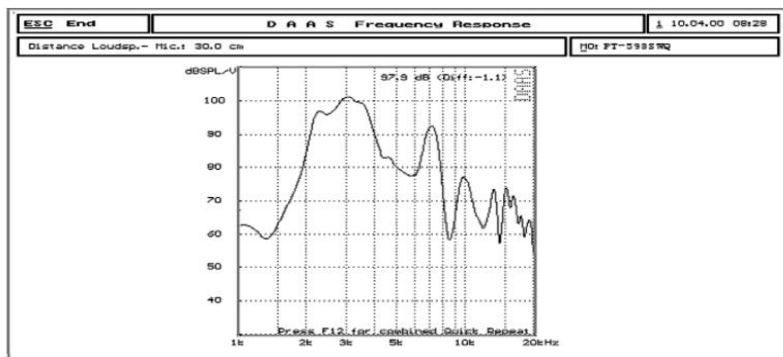
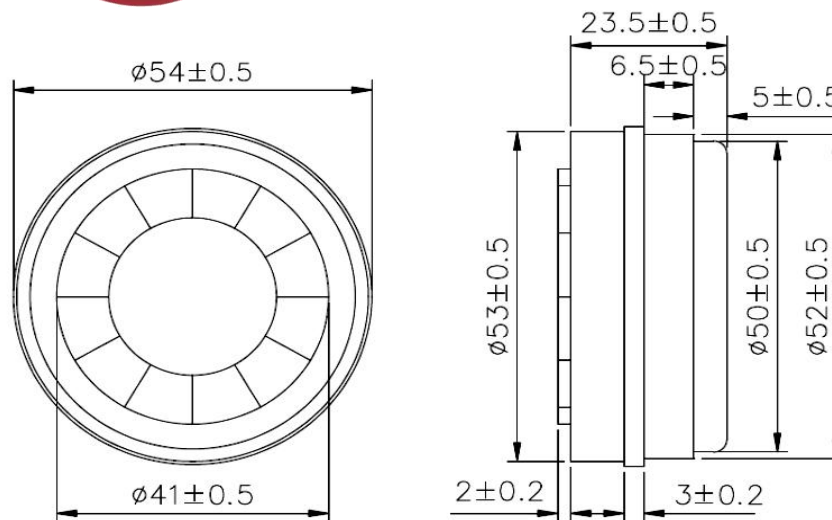


SPECIFICATION		
1	Model No.	EPD-101
2	Cone Material:	ABS
3	Out housing size	Φ 54 mm
4	Voltage (VP-P)	MAX 100V
5	S.P.L (dB)	110 +5 dB -3 dB
6	Resonant frequency Fr	2.6±0.5KHz
7	Main electrostatic capacity Cm	35000±30%pF
8	Resonant impedance R	500Ω Max
9	Metal plate material	Brass
10	Metal plate size (D) mm	35.0±0.1
11	Total height (T) mm	0.5±0.05
12	Insulation resistance	100MΩ Min
13	Operating temperature range	-20℃ to +65℃
14	Storage temperature range	-30℃ to +75℃

THIS DOCUMENT CONTAINS DATE
 PROPRIETARY TO PROJECTS CHANGZHOU ESUNTECH
 CO LTD. ANY USE OR REPRODUCTION,IN ANY FORM,
 WITHOUT PRIOR WRITTEN PERMISSION OF
 PROJECTS CHANGZHOU ESUNTECH CO LTD
 IS PROHIBITED.
 ©2003,Project Changzhou Esuntech Co Ltd

REVISION HISTORY			
LTR	DESCRIPTION	DATE	APPROVED
-	RELEASED FROM ENGINEERING	9/23/2003	Y M
A			
B			
C			



NOTES:

- 1.ALL DIMENSIONS ARE IN MILLIMETERS
- 2.SPECIFICATIONS SUBJECT TO CHANGE WITHOUT NOTICE
3. THE ACTUAL PRODUCT TERMINAL BORAD IS IN RED

UNLESS OTHERWISE SPECIFIED. DIMENSIONS ARE IN MILLIMETERS TOLERANCES ARE +/-0.5 AND ANGLES ARE +/-3°	SIZE	Designed by	Date	Checked by	Date	Approved by	Date	Drawed date
	A4	 Changzhou Esuntech Co.,Ltd http://www.esuntech.com.cn				EPD-101		
	EPD-101					MINI SPEAKER	Edition	Sheet 1 / 1