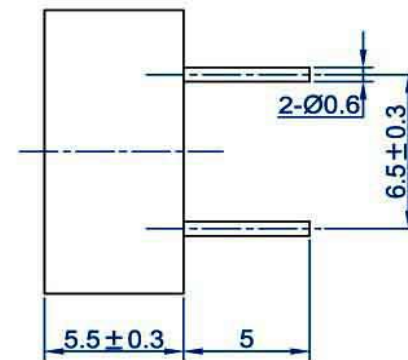
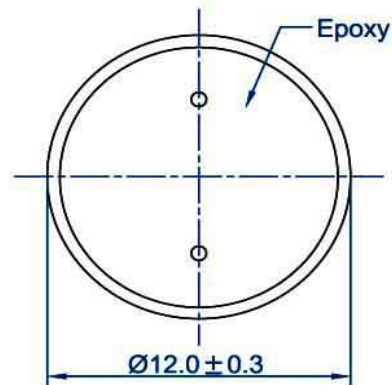


SPECIFICATION		
1	Model No.	EPT1255-TO-09-4.0-12-6.5-R
2	Rated Voltage (Vp-p)	9
3	Operating Voltage (Vp-p)	1~20
4	*Current Consumption (mA)	≤5
5	Capacitance at 120Hz (PF)	12000±30%
6	*Sound Output at 10cm (dB)	≥85
7	Resonant Frequency (Hz)	4000±500
8	Operating Temperature (°C)	-20~+60
9	Storage Temperature (°C)	-30~+70
10	Weight (g)	1.5
11	Housing Material	PPO
12	RoHS	Yes


THIS DOCUMENT CONTAINS DATE PROPRIETARY TO PROJECTS CHANGZHOU ESUNTECH CO LTD. ANY USE OR REPRODUCTION, IN ANY FORM, WITHOUT PRIOR WRITTEN PERMISSION OF PROJECTS CHANGZHOU ESUNTECH CO LTD IS PROHIBITED.
©2003, Project Changzhou Esuntech Co Ltd

REVISION HISTORY			
LTR	DESCRIPTION	DATE	APPROVED
-	RELEASED FROM ENGINEERING	9/23/2003	Y M
A			
B			
C			



NOTES:

1. ALL DIMENSIONS ARE IN MILLIMETERS
2. SPECIFICATIONS SUBJECT TO CHANGE WITHOUT NOTICE

SIZE	Designed by	Date	Checked by	Date	Approved by	Date	Drawed date
	A4	 Changzhou Esuntech Co., Ltd http://www.esuntech.com.cn				EPT1255-TO-09-4.0-12-6.5-R	
	TRANSDUCER		Edition		Sheet		