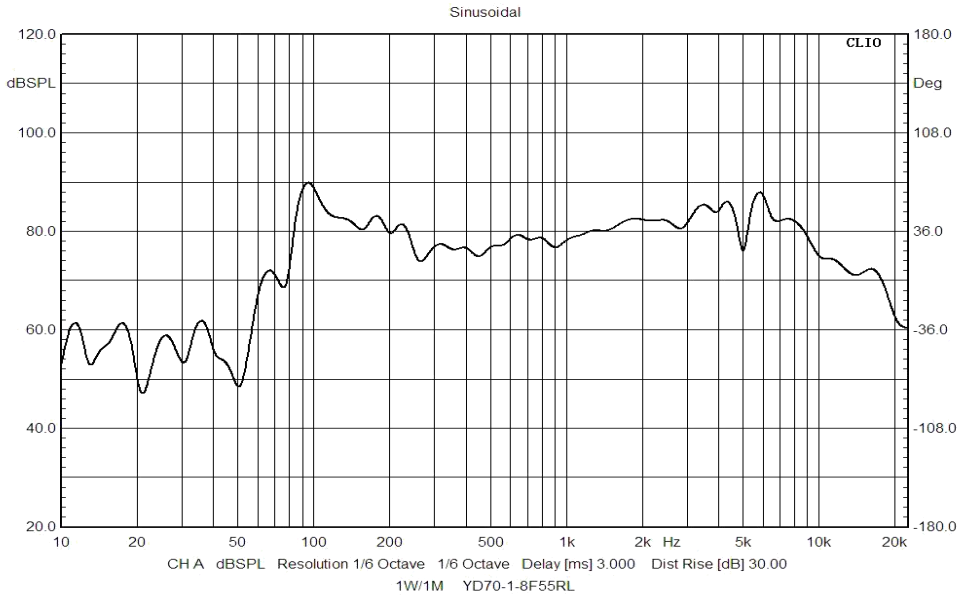
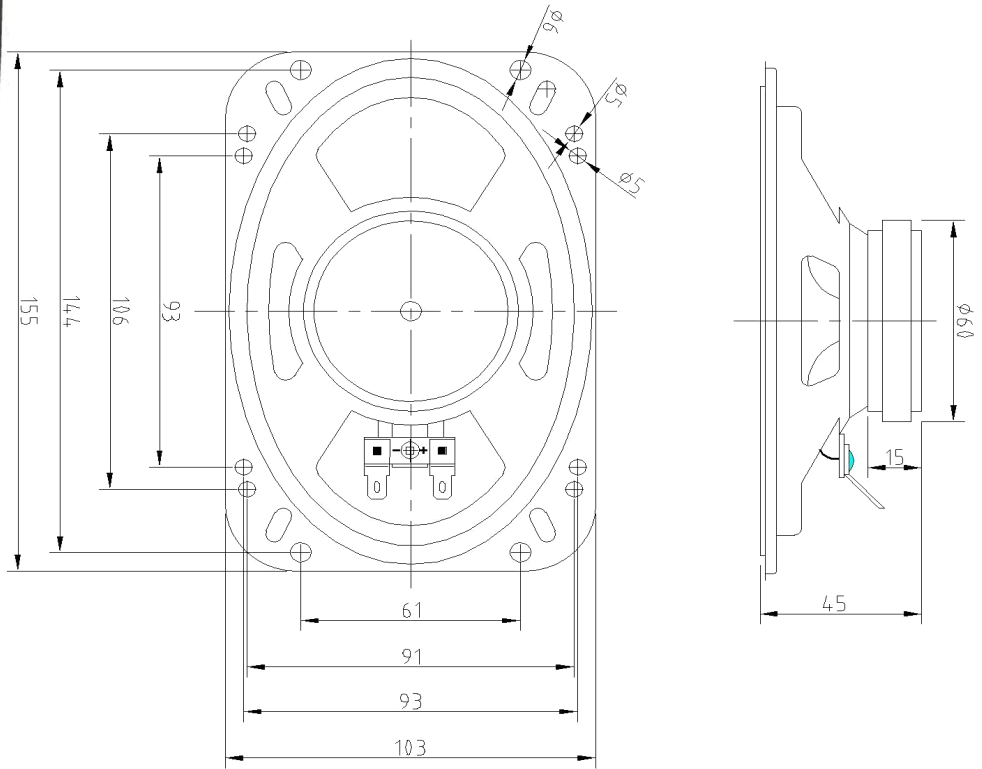


SPECIFICATION		
1	Model No.	YD1016-14-4F60
2	Diameter:	103×155mm
3	Cone Material:	Paper
4	Edge:	Foam
5	Nominal Power:	15w
6	Maximum Power:	25w
7	Impedance:	4±15%Ω
8	Voice coil:	
9	Fo:	115±20%Hz
10	Response:	Fo-15kHz
11	S.P.L.:	86±3dB/1W/0.5M
12	Magnet Size:	Φ60×25×8(Ferrite)
13	Net weight:	

THIS DOCUMENT CONTAINS DATE
 PROPRIETARY TO PROJECTS CHANGZHOU ESUNTECH
 CO LTD. ANY USE OR REPRODUCTION, IN ANY FORM,
 WITHOUT PRIOR WRITTEN PERMISSION OF
 PROJECTS CHANGZHOU ESUNTECH CO LTD
 IS PROHIBITED.
 ©2003, Project Changzhou Esuntech Co Ltd

REVISION HISTORY			
LTR	DESCRIPTION	DATE	APPROVED
-	RELEASED FROM ENGINEERING	9/23/2003	Y M
A			
B			
C			



NOTES:
 1. ALL DIMENSIONS ARE IN MILLIMETERS
 2. SPECIFICATIONS SUBJECT TO CHANGE
 WITHOUT NOTICE

UNLESS OTHERWISE SPECIFIED. DIMENSIONS ARE IN MILLIMETERS TOLERANCES ARE +/-0.5 AND ANGLES ARE +/3°	SIZE	Designed by	Date	Checked by	Date	Approved by	Date	Drawn date
	A4	 EST				YD1016-14-4F60		
	YD45-01-8F32P-R					Changzhou Esuntech Co.,Ltd http://www.esuntech.com.cn	Loudspeaker	Edition