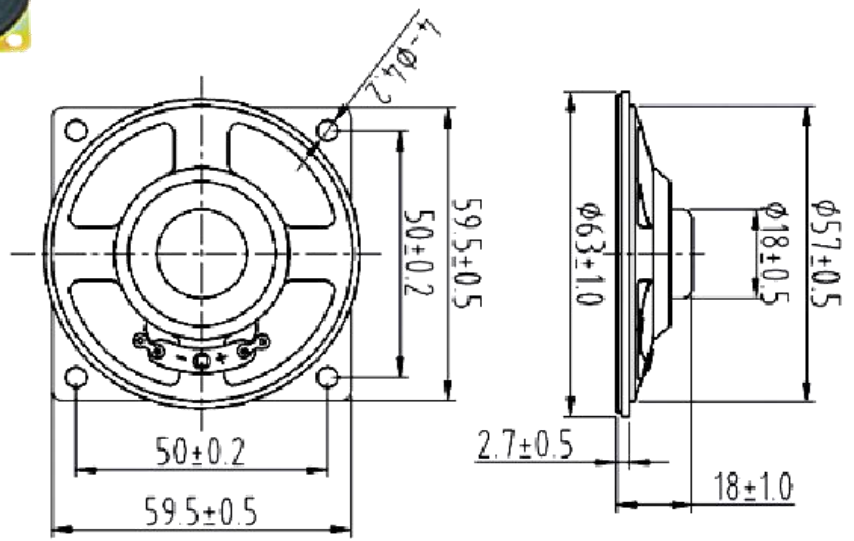
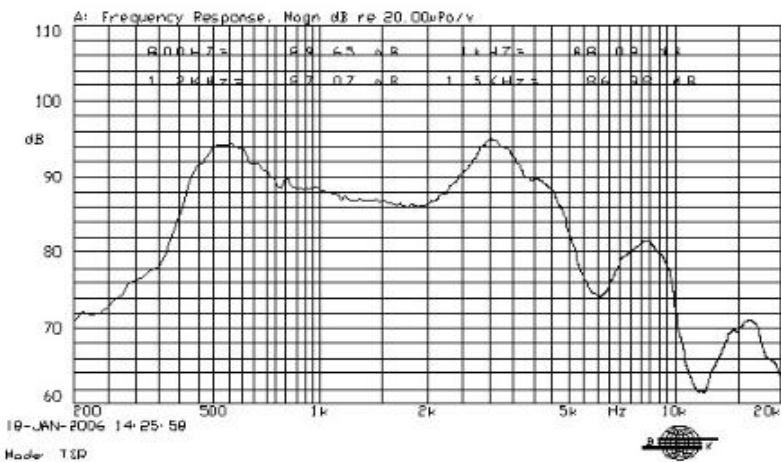


| SPECIFICATION |                |                  |
|---------------|----------------|------------------|
| 1             | Model No.      | YD66-5-8N12.5P   |
| 2             | Diameter:      | 66*66mm          |
| 3             | Cone Material: | Paper            |
| 4             | Edge:          | Paper            |
| 5             | Nominal Power: | 0.5w             |
| 6             | Maximum Power: | 1.0w             |
| 7             | Impedance:     | 8±15%Ω           |
| 8             | Voice coil:    | Φ13.3mm          |
| 9             | Fo:            | 400±20%Hz        |
| 10            | Response:      | Fo-10kHz         |
| 11            | S.P.L.:        | 87±3dB/W/M       |
| 12            | Magnet Size:   | Φ12.5*2.0(NdFeB) |
| 13            | Net weight:    | 25g              |

THIS DOCUMENT CONTAINS DATE  
 PROPRIETARY TO PROJECTS CHANGZHOU ESUNTECH  
 CO LTD. ANY USE OR REPRODUCTION, IN ANY FORM,  
 WITHOUT PRIOR WRITTEN PERMISSION OF  
 PROJECTS CHANGZHOU ESUNTECH CO LTD  
 IS PROHIBITED.  
 ©2003, Project Changzhou Esuntech Co Ltd



| REVISION HISTORY |                           |           |          |
|------------------|---------------------------|-----------|----------|
| LTR              | DESCRIPTION               | DATE      | APPROVED |
| -                | RELEASED FROM ENGINEERING | 9/23/2003 | Y M      |
| A                |                           |           |          |
| B                |                           |           |          |
| C                |                           |           |          |



NOTES:  
 1. ALL DIMENSIONS ARE IN MILLIMETERS  
 2. SPECIFICATIONS SUBJECT TO CHANGE  
 WITHOUT NOTICE

|  |                 |   |      |                |      |             |      |             |
|--|-----------------|---|------|----------------|------|-------------|------|-------------|
| UNLESS OTHERWISE SPECIFIED, DIMENSIONS ARE IN MILLIMETERS TOLERANCES ARE +/-0.5 AND ANGLES ARE +/-3° | SIZE            | Designed by   | Date | Checked by     | Date | Approved by | Date | Drawed date |
|  | A4              | <br><b>EST</b> |      | YD66-5-8N12.5P |      |             |      |             |
|  | YD45-01-8F32P-R |   |      |                |      |             |      |             |