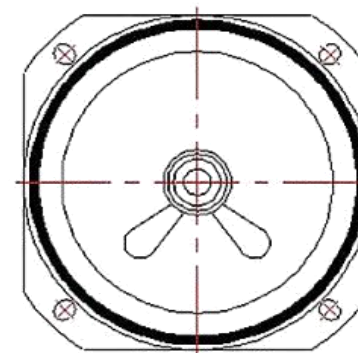
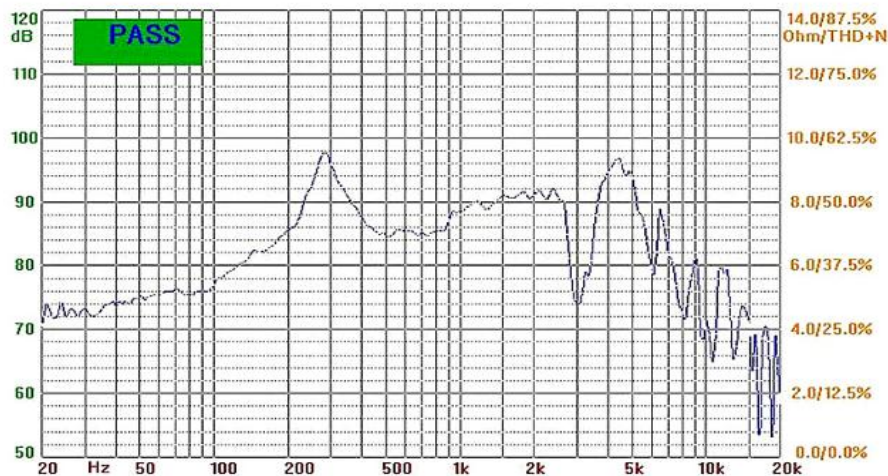
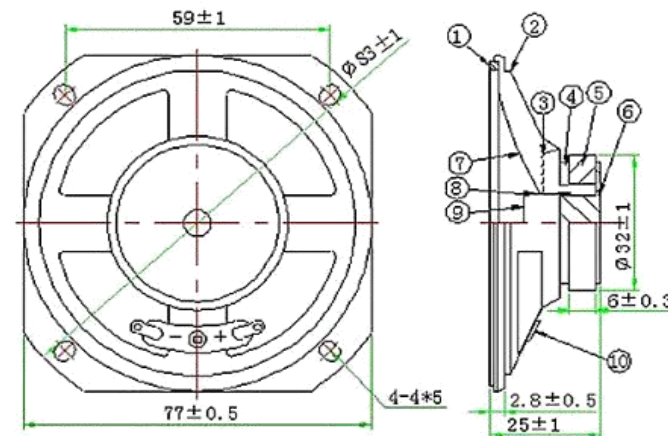


SPECIFICATION		
1	Model No.	YD77-41-4F32P-R
2	Dimension:	77*77*25H mm
3	Cone Material:	Paper
4	Edge:	Paper
5	Nominal Power:	3W
6	Maximum Power:	4W
7	Impedance:	4Ω±15%Ω
8	Voice coil:	Φ13.28mm PL+Cu
9	Fo:	280±20%
10	Response:	Fo~7KHZ
11	S.P.L:	87±3dB(AT 0.1W/0.1M,Average of 0.6.0.8.1.0.1.2 KHZ)
12	Magnet Size:	Φ32*18*6mm
13	Net weight:	57g±8%


THIS DOCUMENT CONTAINS DATE
 PROPRIETARY TO PROJECTS CHANGZHOU ESUNTECH
 CO LTD. ANY USE OR REPRODUCTION,IN ANY FORM,
 WITHOUT PRIOR WRITTEN PERMISSION OF
 PROJECTS CHANGZHOU ESUNTECH CO LTD
 IS PROHIBITED.
 ©2003,Project Changzhou Esuntech Co Ltd



REVISION HISTORY			
LTR	DESCRIPTION	DATE	APPROVED
-	RELEASED FROM ENGINEERING	9/23/2003	Y M
A			
B			
C			



NOTES:
 1.ALL DIMENSIONS ARE IN MILLIMETERS
 2.SPECIFICATIONS SUBJECT TO CHANGE
 WITHOUT NOTICE

UNLESS OTHERWISE SPECIFIED. DIMENSIONS ARE IN MILLIMETERS TOLERANCES ARE +/-0.5 AND ANGLES ARE +/-3°	SIZE	Designed by	Date	Checked by	Date	Approved by	Date	Drawed date
		A4	 Changzhou Esuntech Co.,Ltd http://www.esuntech.com.cn				YD77-41-4F32P-R	
YD45-01-8F32P-R	Loudspeaker	Edition					Sheet	